



**CAME**

| **GATE  
OPERATORS**

# **BX-243 SERIES**

RESIDENTIAL SLIDE  
GATE OPERATOR



## Compact, Modern Solution for Residential Slide Gates



LiftMaster®, the industry leader in gate access systems in North America, has partnered with Italian manufacturer CAME Access Automation. The integration of LiftMaster's Security+ 2.0™ radio technology with CAME's sleek Italian design allows us to offer a complementary line of residential gate operators backed by our unmatched sales and service support.

The compact, cost-effective BX-243 slide gate operator has a small footprint, making it perfect for many residential applications.

When you choose the BX-243, you'll get choice features:

**LiftMaster® Security+ 2.0™ radio technology**

2x the range of standard remotes

**On-board receiver** provides a single remote solution for gate and garage access

**Compact** design is easily hidden

**24V DC motor** with soft stop moves a 25 ft. gate up to 660 lbs.

**Partial opening feature** for motorcycle access

**Simple manual disconnect** for emergency operation

**Timer-to-Close** automatically closes the gate after preset time

Available in **Chain or Rack and Pinion Drive**

**LiftMaster®**



GATE OPERATORS

# BX-243 SERIES

RESIDENTIAL SLIDE GATE OPERATOR

## Specifications

**Power:** 120V AC, single phase

**Motor:** 24V DC continuous duty

**Accessory power output:** 24V AC, 1.5 amps

**Receiver:** Security+ 2.0™ holds 50 transmitters, HomeLink® compatible\*

**Surge suppression:** On high and low voltage inputs

**Operator duty cycle rating:** 25 cycles per day

**Gate travel speed:** 7.5 inches per second

**Temperature specifications:** -4°F to 131°F (-20°C to 55°C)

**Warranty:** 3 years for residential applications

\*May require an external adapter depending on the make, model and year of your vehicle. Visit [www.homelink.com](http://www.homelink.com) for additional information.

## Construction

**Available in two drive types:**

**BX-243C Chain Drive:**

Unique 28 ft. zinc steel coil chain eliminates need for lubrication

**BX-243R Rack & Pinion Drive:**

Rack available in steel or polyamide-covered steel sections

**Operator chassis:** Cast aluminum

**Pad mounting plate:** Galvanized steel

**Shipping weight:** BX-243C: 36 lbs. BX-243R: 27 lbs.

**ETL Listed:** Compliant with UL-325 and CSA C22.2 No. 247 standards

**IMPORTANT:** To be compliant with UL-325 and industry safety guidelines, qualified secondary entrapment devices such as photo-eyes or sensing edges are required to be installed with this gate operator.

## Add to Your System



**DIR10M:** CAME thru-beam photo-eyes, 32.8' sensing distance, NC contact



**DIRL:** CAME extruded 16.5" aluminum photo-eye mounting post with base



**DIRZ:** CAME photo-eye aluminum alloy impact cover



**LD7LP:** LiftMaster® low-power loop detector



**893MAX:** LiftMaster® 3-button premium Security+ 2.0™ remote control



**890MAX:** LiftMaster® 3-button mini Security+ 2.0™ remote control



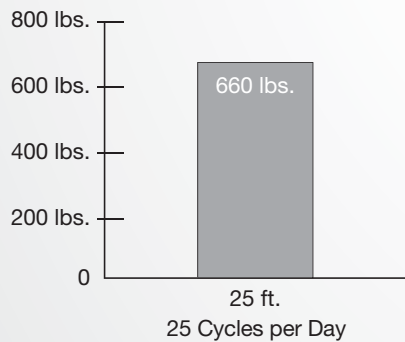
**TAC1:** LiftMaster® telephone entry system



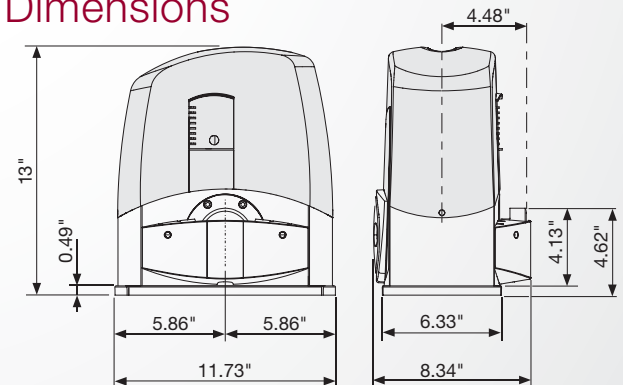
**EL25:** LiftMaster® telephone entry system

## Recommended Capacity

### Slide Rating



## Dimensions



# LiftMaster®

THE CHAMBERLAIN GROUP, INC.  
845 Larch Avenue  
Elmhurst, IL 60126  
[LiftMaster.com/CAME](http://LiftMaster.com/CAME)

LMCMCAX243  
Printed in U.S.A. 07/12  
©2012 The Chamberlain Group, Inc.



Follow us on Facebook, Twitter and YouTube!

